

RP306

3-Channel General Repeater



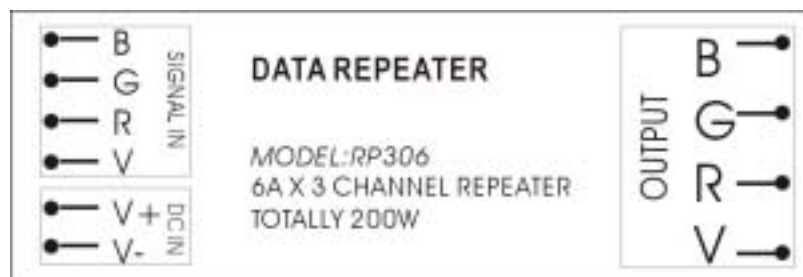
Features

- For power repeat of synchronous changing signal;
- 3 channel RGB control , the max current of each channel up to 6 A;
- Accepts PWM control;
- Match with many kinds of LED modules;
- Theoretically we can connect limitless LED modules by connecting the repeaters in series.

Applications

- Building Decoration: Business spaces, airports, subway;
- Indoor Decoration: Lighting and back lighting for hospital, hotel, marketplace, square, dining-room, pub and etc;
- AD solid Word, sign and mark, signboard and billboard;
- Be used as big area back lighting source.

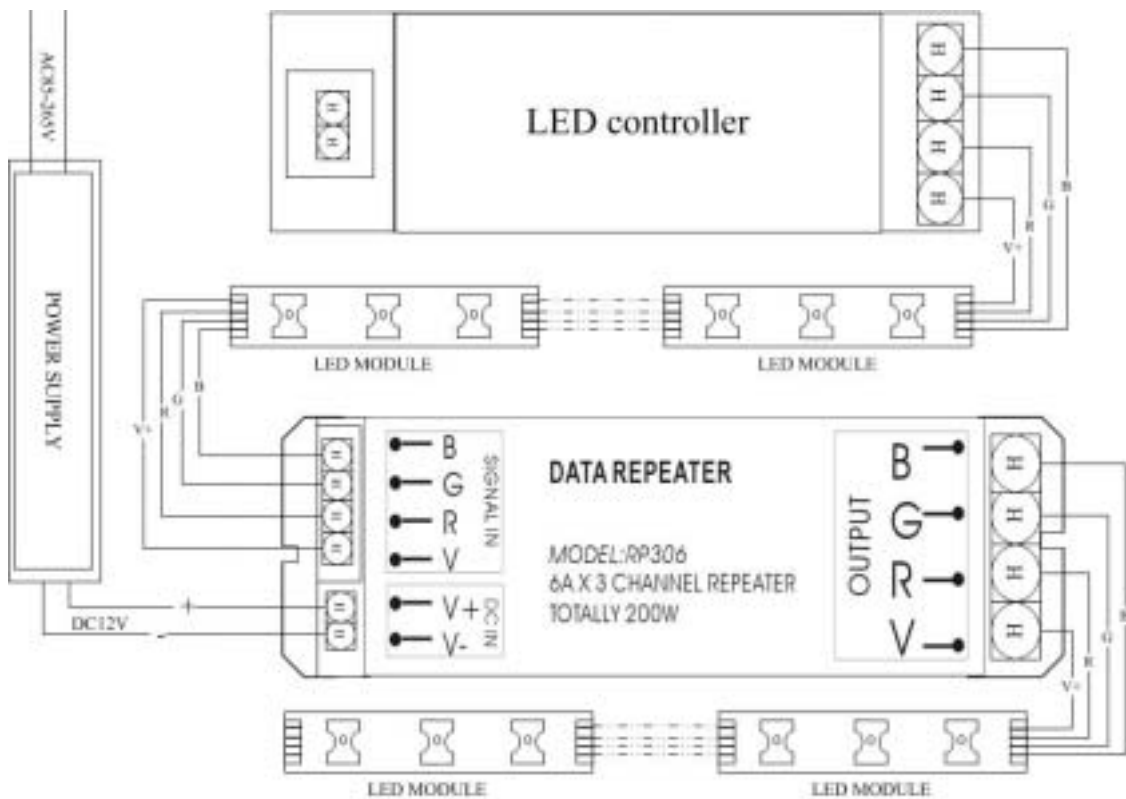
Panel Surface



Product Attributes

POWER SUPPLY	9-15V
I/O CHANNEL	3
P_out	6A(EACH CHANNEL Max),200W
Size	165(L)X39(W)X26(H) mm
Weight	260g

Wire Connections



Remark:

Can control various single color modules and RGB modules with the common anode.
 Can connect 100 pieces of RGB modules or 300 pieces of single color modules, or a number of high power LED lamps (according to the connection method).